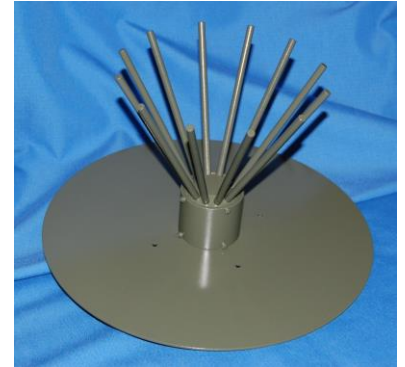


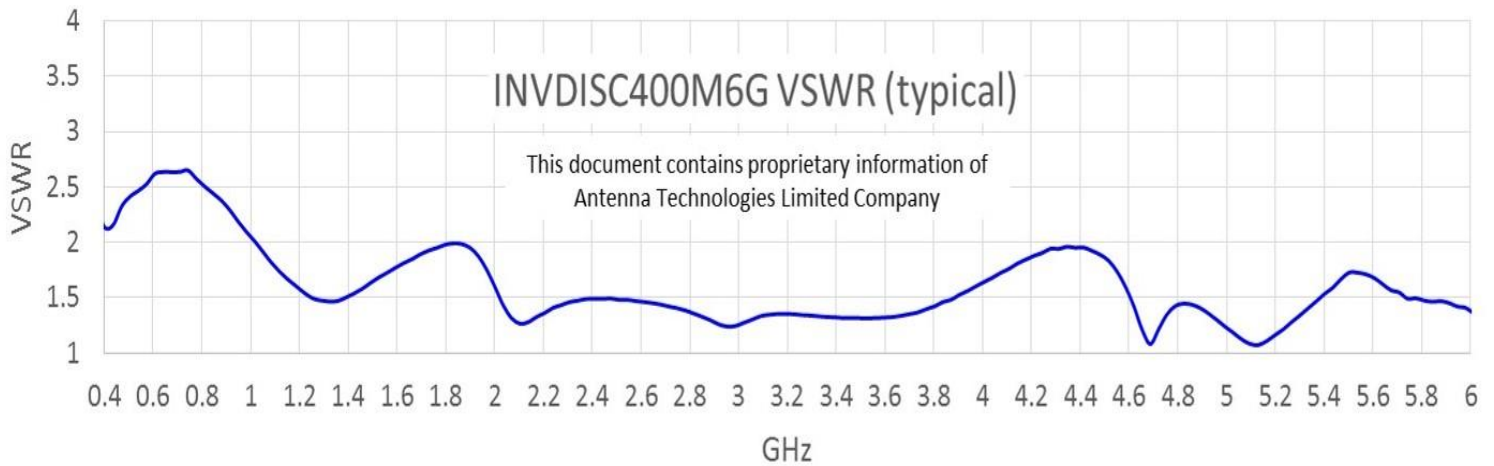
ANTENNA TECHNOLOGIES LIMITED COMPANY

Model INVDISC400M6G Inverted Disccone

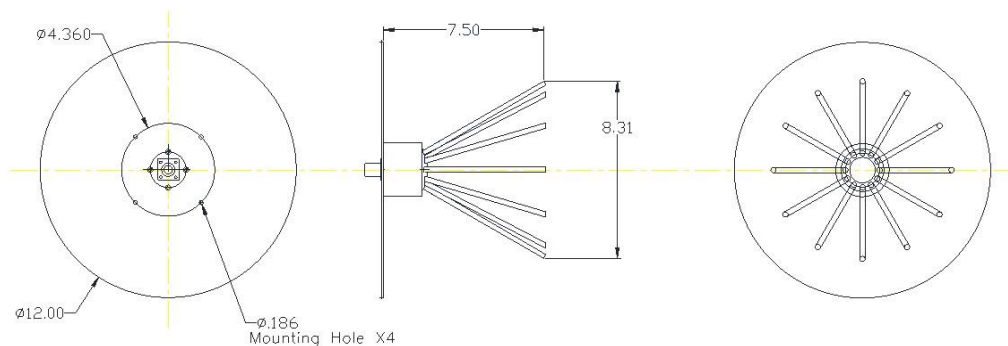
Electrical Specifications	INVDISC400M6G
Frequency	400 MHz to 6 GHz
Polarization	Linear
Gain	+4 dBil Peak
VSWR	2.5:1 typical
Impedance	50 ohm
Power	100 Watts CW
Pattern	Omni Directional
Connector	N Type Jack



Mechanical Specifications	INVDISC400M6G
Size	12" Ground Plane (diameter) x 7.5" High (from ground plane to top of elements)
Mounting	Ground Plane Holes (Standard) or *Pole Mount Bracket Kit
Finish (Paint)	Green (Standard) Various Other Colors Available
Design Temperature	-40 C to +75 C



Outline



22560 Glenn Drive #114 | Sterling, Virginia 20164
www.atcllc.com sales@atcllc.com
 Office: 703-450-5517

ATLC products for military use may be subject to U.S. ITAR EXPORT CONTROLS, an export license may be required.